



# Indoor LoRaWAN® Gateway

## Setu LX

LoRaWAN® indoor gateway for reliable long-range IoT connectivity with secure multi-channel communication and centralized network management.



## Introduction

The Setu LX Series is an industrial-grade LoRaWAN® Indoor Gateway designed to provide reliable long-range wireless connectivity for large-scale industrial IoT, smart building, utility monitoring, factory automation, energy management, and enterprise LoRaWAN® deployments. Engineered for continuous indoor operation, the gateway enables seamless communication between LoRaWAN® end devices and cloud platforms, SCADA systems, industrial servers, and centralized monitoring infrastructure.

Built with high-performance networking architecture, the Setu LX Series supports secure packet forwarding, multi-channel LoRaWAN® communication, Ethernet/Wi-Fi/4G backhaul connectivity options, and compatibility with public and private LoRaWAN® networks.

## Features

- Industrial LoRaWAN® Indoor Gateway
- Ethernet, Wi-Fi & 4G Backhaul Support
- Multi-Channel LoRaWAN® Packet Forwarder
- High-Capacity End Device Connectivity
- Global LoRaWAN® Frequency Band Support
- Compact Indoor Deployment Design
- Supports Public & Private LoRaWAN® Networks

## Key Advantages

- Simplifies Large-Scale IoT Deployment Management
- Supports High-Density Sensor Network Architectures
- Improves Network Reliability with Multiple Backhaul Options
- Ideal for Remote Monitoring & Industrial Automation Applications
- Supports Scalable Smart Infrastructure & Edge IoT Systems

## Main Processing Unit Specifications

Type	ARM Cortex-A7
Number of cores	Quad core
Clock	960 MHz Quad-Core Processor
Memory size	512MB
Memory speed	DDR3 up to 1066 MHz
Internal memory	8GB eMMC
USB	USB Debug Interface

## Wireless Specifications

Compatibility	LoRaWAN® , Class A/B/C
Frequency	IN865 / RU864 / EU868 / US915 / AU915 / KR920 / AS923-1/2/3/4
LoRa Demodulators	8-Channel LoRaWAN® Packet Forwarder
Uplinks channel	8
Downlink channel	1
TX power	Up to 27 dBm @ SF12, BW 125 kHz (Region Dependent)
RX sensitivity	Down to -139 dBm @ SF12, BW 125 kHz
Data-rate	Dynamic data-rate adaptation (ADR)
Antenna Connector	N-type female
Embedded LNS Support	Not Available

## Ethernet Backhaul

Number	1 (PoE)
Type	1 × 10/100 Mbps Ethernet Port

## WiFi Backhaul

Bands	2.4 GHz ISM
Standards	802.11 b/g/n
Modulation schemes	BPSK, QPSK, 16 QAM, 64 QAM
Security	WEP, TKIP, and AES, WPA, WPA2
Antenna	Internal Integrated Antenna

## Cellular Backhaul

Cellular bands	B1/3/5/7/8/20/28
GPRS slot	Multi-slot class 12/10
SIM card	1 x Nano SIM
Antenna	Internal Integrated Antenna

## Operating System

Inbuilt OS	OpenWRT Linux
Forwarder	UDP forwarder
Forward Options	--
LNS	--
Automation Engine	--

## Power Supply

Power supply	USB
Power consumption	Average 3W (Approx)
Connector	Type C
Power backup	--
Backup time	--

## Physical & Environmental Specifications

### Enclosure

Material	ABS Plastic
Treatment	Glass-Filled
Dimensions	98mm× 98mm × 34 mm (Without Antenna)
Weight	~140 g

### Installation

Wall-mounted installation	Yes , with Mounting Clip
Pole - mounted installation	--

### Environmental Conditions

Operating Temperature	-20 °C to + 50°C
Operating Humidity	0% to 95% RH (Non-Condensing)
Operating IP Class	IP55

## Regulatory Certifications & Compliance

Wireless Certification	WPC
Environmental	RoHS Compliant

## What's in the Box?

- Setu LX Model
- Mounting Clip
- User Manual
- Warranty Card
- Cable Extender \*
- Mounting Screws
- Power Adapters \*

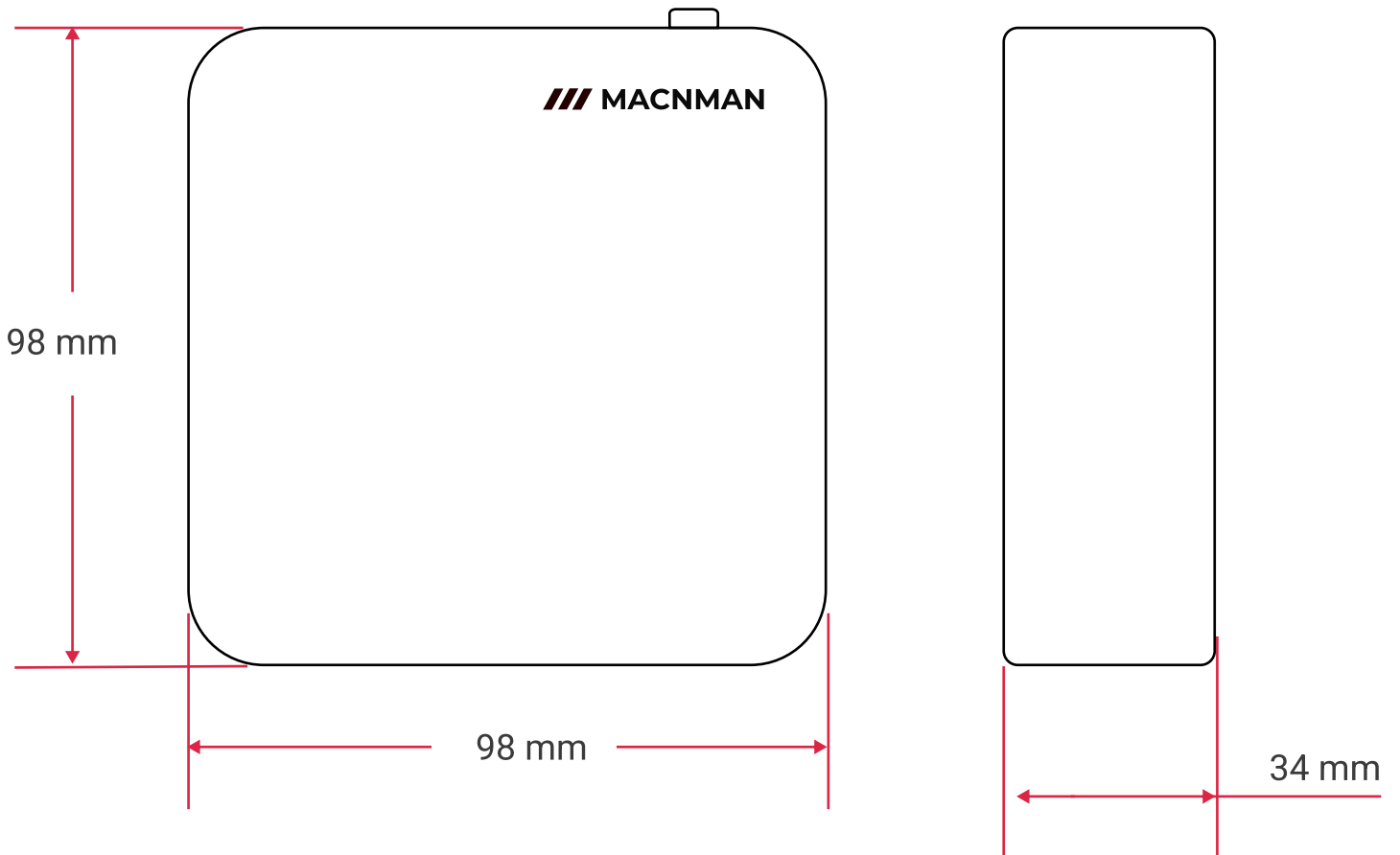
## Models & Ordering Information

Variant Name	Backhaul	Power Source
Setu LX1	Wifi	Type C
Setu LX2	Cellular + WiFi	Type C
Setu LX3	Cellular + WiFi + Modbus TCP/IP	Type C

## Notes

- For OTA updates and remote management, users must use the Macnman VPN service.
- (\*) Marked accessories must be purchased separately

## Device Dimensions






y to serve you. तुमची सेवा करण्याची संधी दिल्याबद्दल धन्यवाद. మీకు సేవ చేసే అ  
के अवसर के लिए धन्यवाद भवतः सेवायाः अवसरस्य कृते धन्यवादः तमारी सेवा करवानी

## Say Hello 🙌

-  [www.macnman.com](http://www.macnman.com)
-  [info@macnman.com](mailto:info@macnman.com)
-  +91 7972856163
-  Office -15, 635 1B, Bibwewadi, Pune,  
Maharashtra 411037

### Support Mails

-  [chat@macnman.com](mailto:chat@macnman.com)
-  [helpdesk@macnman.com](mailto:helpdesk@macnman.com)
-  [support@macnman.com](mailto:support@macnman.com)

This manual and all its contents are the intellectual property of Macnman Technologies Pvt. Ltd. and are protected under Indian copyright laws and applicable international conventions.

All trademarks, certifications, and logos mentioned in this document or related products are used with appropriate licensing. These may include, but are not limited to, certifications such as CE, FCC, RoHS, REACH, BQB, WEEE, and others. Ownership of trademarks, logos, and trade names remains with their respective owners. For instance, the Bluetooth® trademark and logo are the property of Bluetooth SIG, Inc. Other trademarks belong to their rightful proprietors.

Given the compact size of the module, the "®" symbol is omitted from Bluetooth-related trademarks in compliance with applicable regulations.

Macnman Technologies Pvt. Ltd. reserves the right to modify the content of this manual to align with advancements in technology. Updated versions may be released without prior notification. Unauthorized modification, reproduction, or use of part or all of this manual without written consent from Macnman Technologies Pvt. Ltd. is strictly prohibited. Legal action will be taken against violators in accordance with Indian law.

By using this manual, you agree to comply with the terms stated herein.