



LoRaWAN® Oxygen Sensor

MacSync LOXGS X1

LoRaWAN® oxygen monitoring sensor for real-time O₂ concentration monitoring with long-range wireless connectivity and industrial-grade reliability.



Introduction

The MacSync LOXGS X1 is an industrial-grade LoRaWAN® Oxygen Monitoring Sensor designed for continuous real-time monitoring of oxygen (O₂) concentration across industrial plants, confined spaces, warehouses, medical facilities, process industries, laboratories, gas monitoring systems, and environmental safety applications.

Built with high-stability oxygen sensing technology and long-range LoRaWAN® connectivity, the device enables organizations to continuously monitor oxygen levels, improve workplace safety, detect abnormal atmospheric conditions, and support centralized industrial monitoring infrastructure.

Features

- Real-Time Oxygen (O₂) Concentration Monitoring
- Industrial-Grade Oxygen Sensing Technology
- Configurable Sampling & Transmission Intervals
- BLE-Based Configuration via Maya App
- Event-Triggered Low Oxygen Notifications
- Compatible with Public & Private LoRaWAN® Networks & Macnman MacTalk Protocol
- Designed for Industrial & Hazardous Environments

Key Advantages

- Supports Centralized Monitoring Across Distributed Facilities
- Enables Continuous Atmospheric Safety Monitoring
- Supports ESG & Environmental Safety Initiatives
- Minimizes Maintenance Through Ultra-Low Power Operation
- Enables Scalable Wireless Oxygen Monitoring Infrastructure

Oxygen (O₂) Measurement Specifications

Range	0 ~ 25% Vol
Maximum Detectable Concentration	30% Vol
Sensitivity	(0.1 ~ 0.3) mA (In Air)
Response Time (T90)	≤ 15 Seconds
Stability (Per Month)	< 2%
Repeatability	< 2% of Output Value
Pressure Range	Normal Atmosphere ±10%
Zero Drift (-20°C ~ 40°C)	≤ 0.1% Vol
Expected Sensor Life	2 Years

Wireless Specifications

Wireless Protocols	LoRaWAN® (v1.0.4), Macnman MacTalk Protocol
Antenna	Internal high-efficiency antenna
Supported Bands	IN865 / RU864 / EU868 / US915 / AU915
Tx Power	23 dBm @ 865 MHz
Sensitivity	-137 dBm @ 300 bps
LoRaWAN® Class	Class A (Default), Configurable to Class C via Maya
Device Activation	OTAA
Supported LNS	Private LNS ,Chirpstack ,The Things Networks , MQTT, Orbiwise

Device Management

Configuration Method	Via Macnman Maya Android App
Local Configuration	BLE-Based Local Configuration
Remote Configuration	Over-the-Air Configuration (Downlink Commands)
Status LED	1 × Internal Multi-Color LED

Device Configuration Parameters

Data Reporting Mode	Periodic / Event-based / Hybrid
Transmission Interval	Independent uplink interval for optimized power consumption
Threshold-Based Alerts	Configurable Oxygen Thresholds for Event-Triggered Transmission
Sampling Interval	Configurable data acquisition interval (e.g., 1 min to 24 hours)

Power & Battery Performance

Power Supply	Integrated Battery - 19,000 mAh
Battery Type	Lithium Thionyl Chloride (Li-SOCl ₂)
Estimated Battery Life at 25 °C	
5-minute reporting interval	~1 year
15-minute reporting interval	~2 years
60-minute reporting interval	~4+ years

Physical & Environmental Specifications

Enclosure & Mechanical

Material	Glass Filled Nylon
Protection Rating	IP65
Dimensions	165 mm X 62 mm X 43 mm
Weight	~175 g

Mounting & Installation

Wall - Mounted Installation	Supported , With Clip
Pole - Mounted Installation	Supported , Without Clip

Environmental Conditions

Operating Temperature	-40°C to +80°C
Operating Humidity	0% to 95% RH (non-condensing)

Regulatory Certifications & Compliance

Wireless Certification	WPC
Environmental	RoHS compliant

What's in the Box?

- MacSync LOXGS X1 Sensor
- Mounting Clip
- User Manual
- Warranty Card
- IP68 Cable Extender *
- Mounting Screws
- Power Adapters *

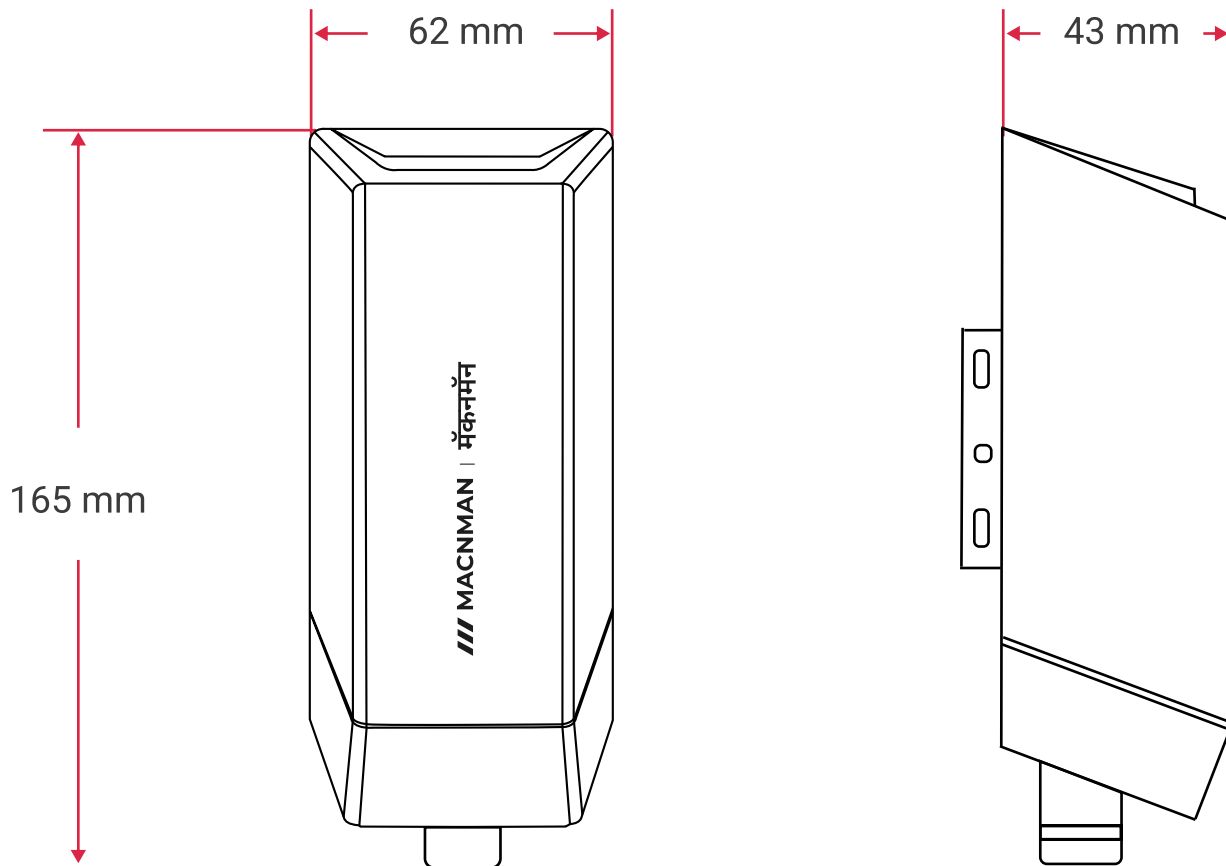
Models & Ordering Information

Variant Name	Power Source
MacSync LOXGS X1 PO	External Power (9–36 V DC)
MacSync LOXGS X1 BO	Integrated Battery - 19,000 mAh

Notes

- Power-operated variants require external DC power input & external sensor probe
- (*) Marked accessories must be purchased separately

Device Dimensions






y to serve you. तुमची सेवा करण्याची संधी दिल्याबद्दल धन्यवाद. మీకు సేవ చేసే అ
के अवसर के लिए धन्यवाद भवतः सेवायाः अवसरस्य कृते धन्यवादः तभारी सेवा करवानी

Say Hello 🙌

-  www.macnman.com
-  info@macnman.com
-  +91 7972856163
-  Office -15, 635 1B, Bibwewadi, Pune,
Maharashtra 411037

Support Mails

-  chat@macnman.com
-  helpdesk@macnman.com
-  support@macnman.com

This manual and all its contents are the intellectual property of Macnman Technologies Pvt. Ltd. and are protected under Indian copyright laws and applicable international conventions.

All trademarks, certifications, and logos mentioned in this document or related products are used with appropriate licensing. These may include, but are not limited to, certifications such as CE, FCC, RoHS, REACH, BQB, WEEE, and others. Ownership of trademarks, logos, and trade names remains with their respective owners. For instance, the Bluetooth® trademark and logo are the property of Bluetooth SIG, Inc. Other trademarks belong to their rightful proprietors.

Given the compact size of the module, the "®" symbol is omitted from Bluetooth-related trademarks in compliance with applicable regulations.

Macnman Technologies Pvt. Ltd. reserves the right to modify the content of this manual to align with advancements in technology. Updated versions may be released without prior notification. Unauthorized modification, reproduction, or use of part or all of this manual without written consent from Macnman Technologies Pvt. Ltd. is strictly prohibited. Legal action will be taken against violators in accordance with Indian law.

By using this manual, you agree to comply with the terms stated herein.